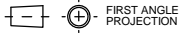


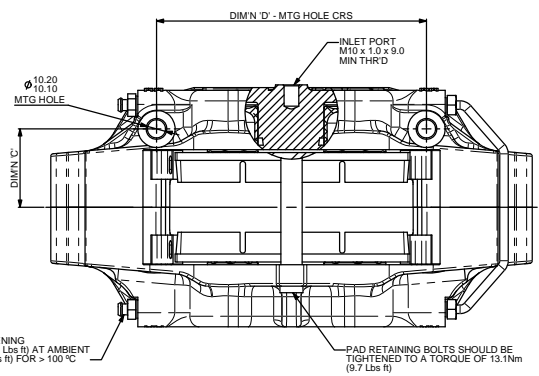
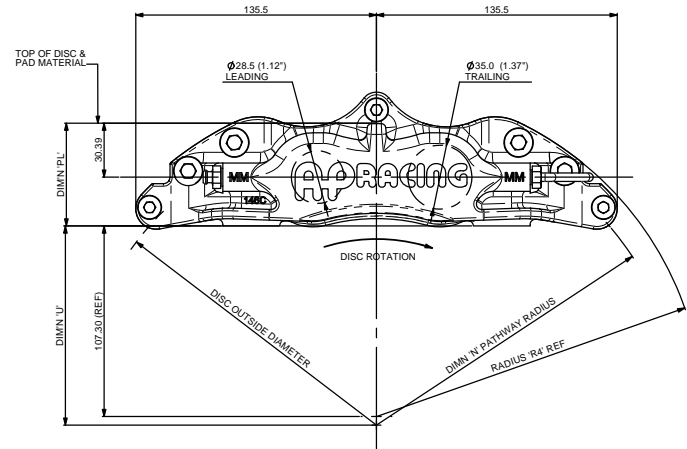
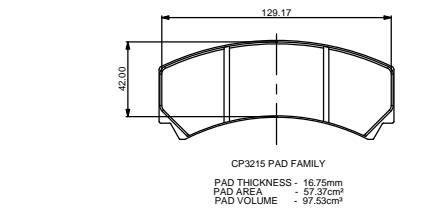
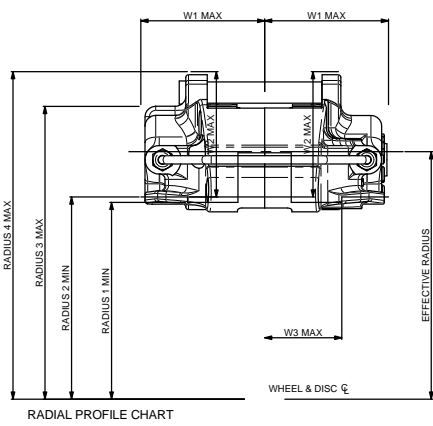
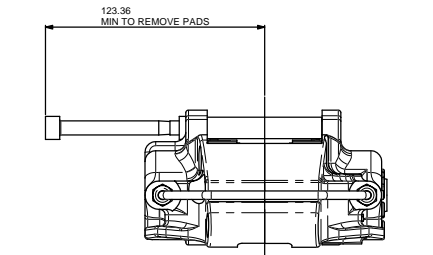
A0 ASSEMBLY DRAWING

IF THIS DOCUMENT IS PRINTED IN HARDCOPY, IT IS FOR INFORMATION USE ONLY AND THEREFORE IS NOT SUBJECT TO IP/RIGHTS CONTROLS. ALWAYS REFER TO SOLIDWORKS VIEWER FOR LATEST ISSUE



THIS DRAWING IS CONFIDENTIAL AND IS SUPPLIED ON THE EXPRESS CONDITION THAT IT SHALL NOT BE LOANED OR COPIED OR DISCLOSED TO ANY OTHER PERSON OR USED FOR ANY OTHER PURPOSE WITHOUT THE WRITTEN CONSENT OF AP RACING LTD.

AP RACING
 AP Racing
 Wheler Road
 Coventry
 CV3 4LB
 Tel: +44 024 7683 9595
 Fax: +44 024 7683 9599
 e-mail: sales@apracings.co.uk
 © AP Racing Ltd. 2005
 Web site: HTTP://www.apracings.com



BLEED SCREW TIGHTENING
 TORQUE 25.0 Nm (18.5 Lbs Ft) AT AMBIENT
 TORQUE 17Nm (12.5Lbs Ft) FOR > 100 °C

GENERAL DESCRIPTION

THIS CALIPER IS DESIGNED TO OPERATE ON A SOLID OR VENTILATED DISC OF EITHER Ø340.0 (13.4") OR Ø315.0 (12.4") X 28.0mm THICK

TYPICAL APPLICATION

BUDGET RACING SERIES

TECHNICAL INFORMATION

TOTAL PISTON AREA: 31.73cm²
 PISTON MATERIAL: STAINLESS STEEL
 BODY MATERIAL: CAST ALUMINIUM ALLOY
 ALL HYDRAULIC THREADS M10x1.0
 ASSEMBLY WEIGHT:

INSTALLATION INFORMATION

DISC & CALIPER MOUNTING TOLERANCES TO BE SUCH THAT THE DISC IS CENTRAL TO THE CALIPER TO WITHIN ±0.5mm.

KEY TO DIMENSIONS

DIMENSION 'PL': TOP OF PAD MATERIAL TO MOUNTING HOLE BOSS FACE WITH PAD SITTING DOWN ON LEDGE.
 DIMENSION 'C': OFFSET - DISC CENTRE LINE TO MOUNTING HOLE CTR
 DIMENSION 'D': MOUNTING HOLE CENTRES
 DIMENSION 'H': MOUNTING HOLE DIAMETER
 DIMENSION 'U': WHEEL CENTRE TO CALIPER MOUNTING HOLE BOSS FACE (DISC Ø/2) - 'PL' DIMENSION

AP RACING TECHNICAL SECTION WILL BE PLEASED TO ADVISE ON THE MOST SUITABLE EQUIPMENT FOR ANY PARTICULAR APPLICATION.

CALIPER PART NUMBERS

CP5040-24SOL - RIGHT HAND TRAILING (BEHIND AXLE)
 CP5040-26SOL - LEFT HAND TRAILING (BEHIND AXLE)
 CP5040-26SOL - RIGHT HAND LEADING (IN FRONT OF AXLE)
 CP5040-27SOL - LEFT HAND LEADING (IN FRONT OF AXLE)

CP5040-24S4L - RIGHT HAND TRAILING (BEHIND AXLE)
 CP5040-25S4L - LEFT HAND TRAILING (BEHIND AXLE)
 CP5040-26S4L - RIGHT HAND LEADING (IN FRONT OF AXLE)
 CP5040-27S4L - LEFT HAND LEADING (IN FRONT OF AXLE)

EXAMPLE PART # - CP5040-24 S (SIDE FEED) 0 (0lb AKB SPRING) L (STAINLESS PISTONS)

PADS

THE CORRECT PAD FAMILY NUMBER FOR THIS CALIPER IS CP3215. PADS SHOULD BE ORDERED SEPERATELY.

REPLACEMENT SEAL KIT

SEAL KIT (HIGH TEMPERATURE) CP4518-DG

	DISC Ø	EFF RAD	RAD 1	RAD 2	RAD 3	RAD 4	W1	W2	W3
	340.00	144.30	115.80	118.80	169.80	189.40	69.70	42.50	43.45
CP5040-24/25/26/27	315.00	132.10	103.30	106.30	157.50	178.60			

CALIPER ASSY FAMILY No.	STROKE NUMBERS				DISC DIA	DISC WIDTH	DIM'N 'C'	DIM'N 'H'	DIM'N 'D'	DIM'N 'PL'	DIM'N 'N'	REMARKS & APPLICATIONS
	RHT	LHT	RHL	LHL								
CP5040-24/25/26/27	24	25	26	27	340.00 315.00	28.00	44.10	10.20 10.10	152.00	57.80	172.50	

Alterations		Date & No.	Particulars	Drawn	Checked
1	18/03/13	96755	FIRST ISSUE		

SCALE 1:1 SHEET 1 OF 1

DRAWN: N STEVENS

APPROVED:

DERIVED FROM:

TITLE: 4 PISTON CALIPER INSTALLATION DRAWING

DRG NO.: CP5040-28CD